

Potter Julija Pustovrh  
Picture by Matjaz Vidmar  
Wild potting in the Scottish Highlands



**THEGOGO**® 

A transportable pottery kick wheel

**Owner's Manual**

Edinburgh, Scotland, February 2022

© 2022 Coiron Ltd

# THEGOGO<sup>®</sup>

a transportable kick wheel


## ***Congratulations on the purchase of your kick wheel!***

We trust that you will enjoy your kick wheel for many years. It was designed using feedback from experience potters and beginners alike.

### ***Features and benefits***

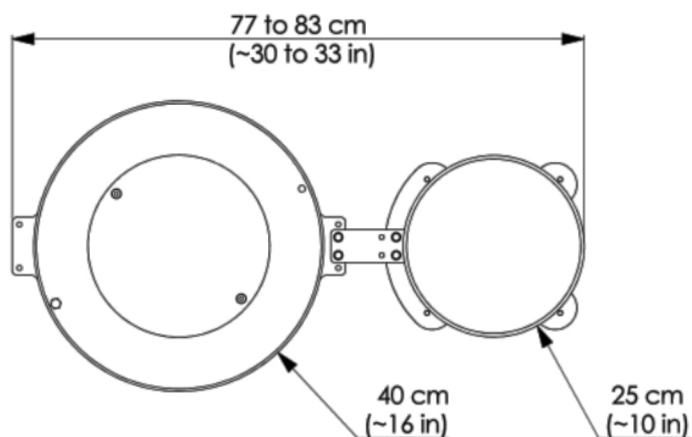
- A minimalist design with industrial quality
- Manual operation for a fuller craft experience
- Out-of-studio, off-grid and outdoors potting
- Requires a small space to keep in the studio or to transport
- Wheel it away with a standard platform trolley
- Safer to use (not mixing of electricity and water!)
- Attachable stool for kick motion efficiency and safe operation
- Anti-rotation pin lock for safer handling and transport

### ***Safety***

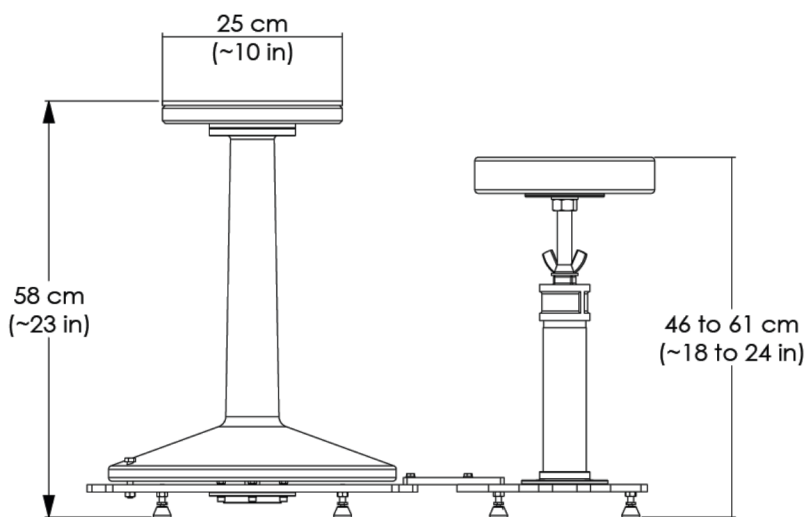
- Read this Owner's Manual in full before setting up and using your kick wheel for the first time.
- Immediately discontinue the use of the kick wheel if there is any perceived malfunction.
- Do not use the kick wheel for purposes other than producing pottery with clay.
- Remove wearables (watches, rings, etc) from your hands and arms before using the kick wheel. Tie long hair and do not wear hanging jewellery or loose clothing as these can be caught by the kick wheel and cause injury.
- Use safety goggles to protect your eyes from any flying clay or other objects.
- Do not insert your hands, body parts or any object into the openings of moving parts.
- Do not place items on top of the kick wheel as they may fly off and cause injury.
- Children must always be supervised by an adult when using the kick wheel.
- Keep tools and small parts out of the reach of small children.
- Do not lean, sit or stand on the wheel.
- Use proper lifting techniques when lifting or handling the kick wheel.
- Do not put undue loads, impact or drop the kick wheel as this can damage to it.
- Using a kick wheel is an activity that requires practice to master. We recommend commencing gradually and take regular rests. The kick wheel is powered by your body and adequate level of fitness may need to be build up. Excessive or prolonged use of a kick wheel can cause physical strain such as knee, hip or back pain. If this happens, cease immediately its use and consult with your doctor.
- Further safety warnings are provided later in the manual marked with  .

## Specifications

Dimensions, weights and materials:



Top View



Side View

Weights	
Kick wheel only	40 kg (88 lb)
Max clay capacity	2 kg (5 lbs) depending on skills

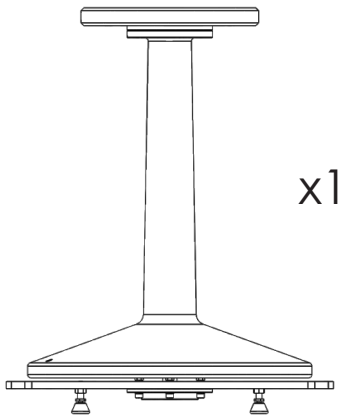
Materials	
Kick wheel body	Cast Iron
Wheel head	Aluminium
Base plates	Aluminium
Throwing batt	Plywood
Stool seat	Oak wood
Flywheel surface	Anti-slip coating

# THEGOGO<sup>®</sup>

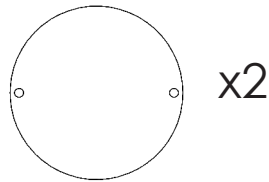
a transportable kick wheel

## Contents

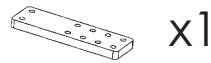
Main components:



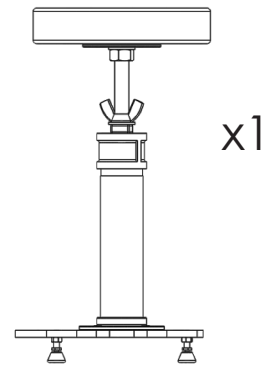
Kick wheel  
P/N: D9-45



Throwing batt  
P/N: D9-13

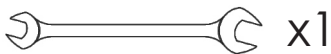


Link bar  
P/N: D9-68

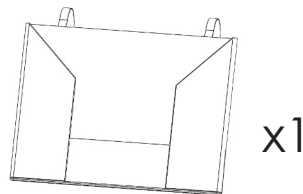


Stool  
P/N: D13-04

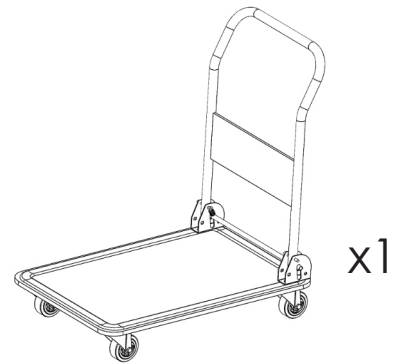
Tools:



Spanner  
P/N: T00000

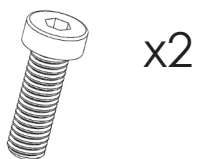


Parts carry bag  
P/N: D9-74

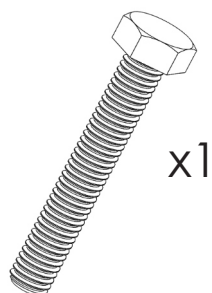


Platform trolley  
P/N: T10000

Fixings:



Throwing batt pins  
P/N: 110011



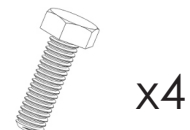
Anti-rotation pin  
P/N: 110019



Link bar washer  
P/N: 110013

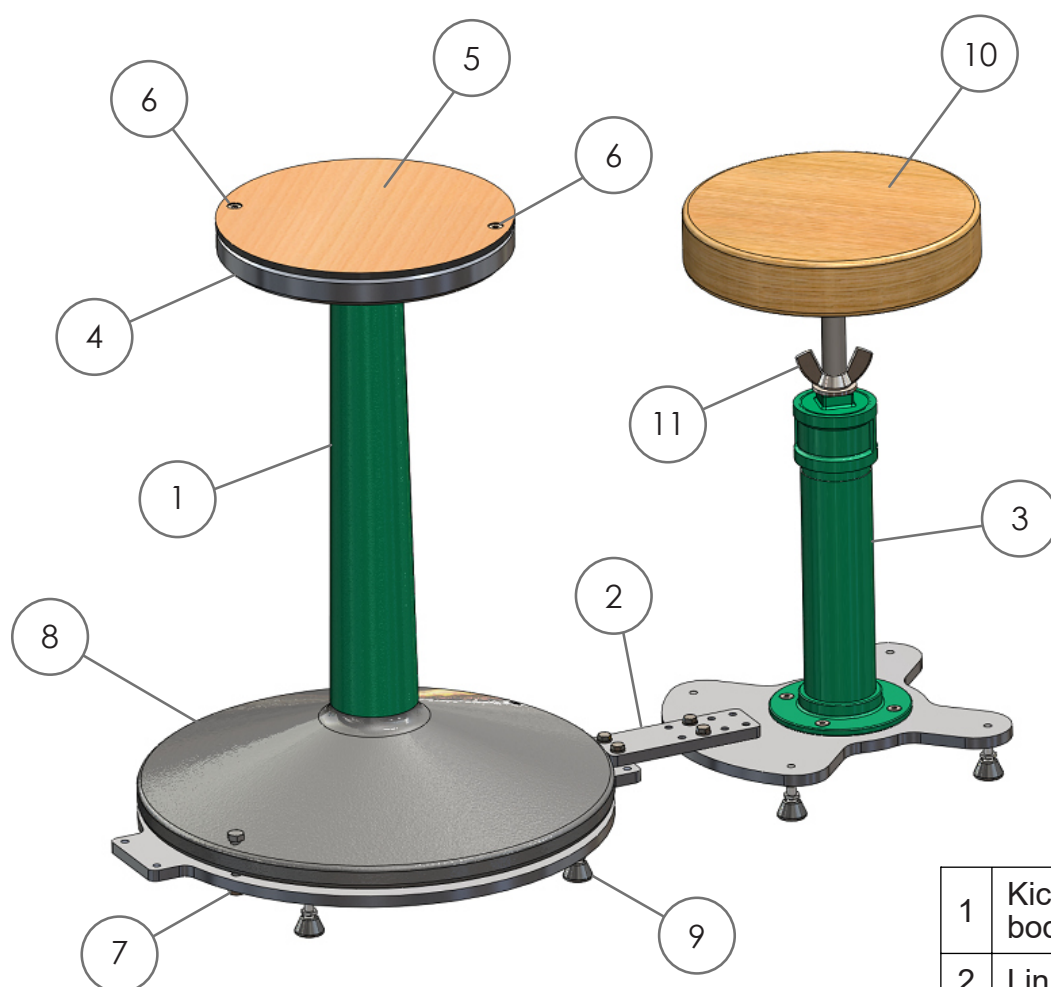


Anti-rotation pin nut  
P/N: 104003



Link bar screw  
P/N: 110013

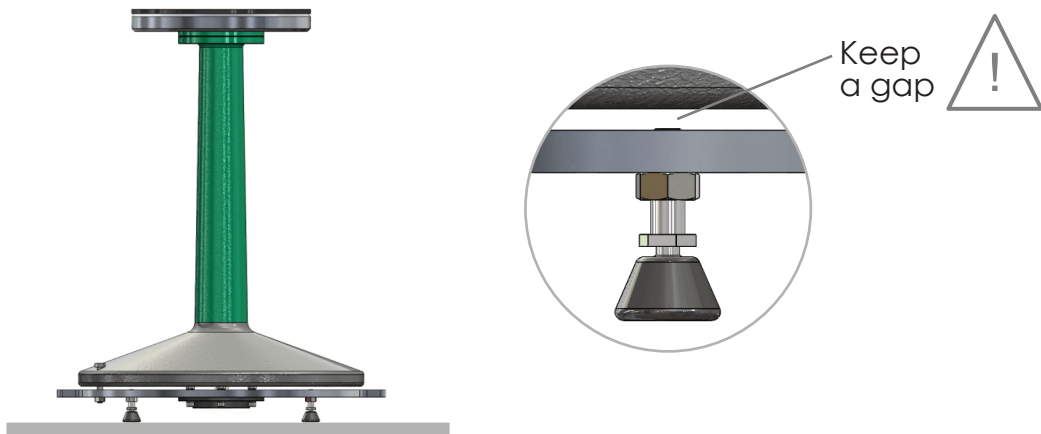
## Overview of your kick wheel



1	Kick wheel body
2	Link bar
3	Stool body
4	Wheel head
5	Throwing batt
6	Batt pins
7	Anti-rotation pin
8	Flywheel with anti-slip coating
9	Levelling feet
10	Oak seat
11	Seat height adjustment

## Setting up your kick wheel

- 1** Ensure that the anti-rotation pin is inserted before setting up. Choose a suitable space with a fairly even surface to place the kick wheel. The levelling feet can swivel to accommodate some unevenness of the ground and also provide an amount of height adjustment to eliminate rocking. Ensure that the top of the feet do not close the gap by touching the underside of the flywheel.



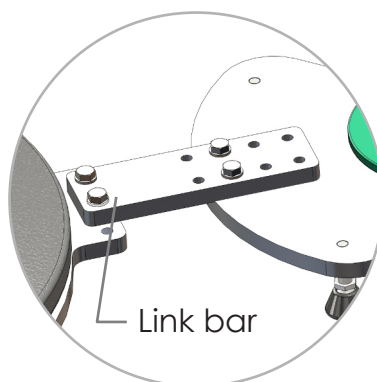
- 2** Place the stool next to the kick wheel ensuring that the fixing holes to attach the link bar are facing each other. Adjust levelling feet of the stool to eliminate any rocking, ensuring that the base of the stool and the kick wheel are at a similar height.



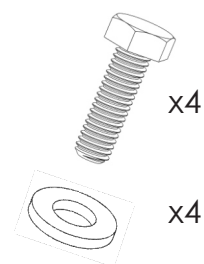
- 3** Secure the end with two holes of the link bar to the kick wheel using the screws and washers as shown below. Repeat the process by attaching the other end to the stool. The set of holes on the link bar allows for adjustment of the stool distance. Further adjust the levelling feet to eliminate any rocking.



The stool and the kick wheel must be attached to prevent the stool moving or tilting backwards during operation.



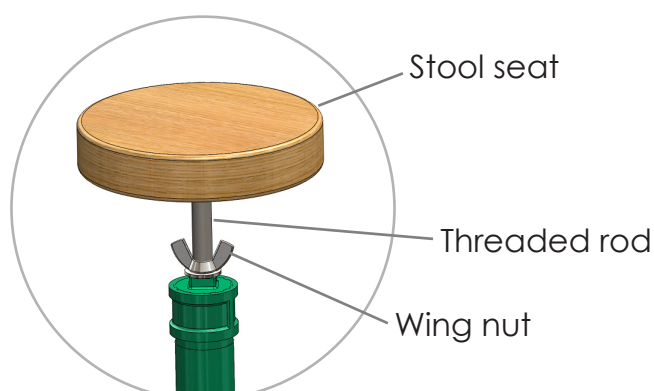
Use:



- 4** The height of the stool can be adjusted by loosening the wing nut. Rotate the seat clockwise to lower it and counter clockwise to raise it. Once at the desired height, lock it in place by tightening the wing nut firmly, this can be helped by rotating the stool seat clockwise at the same time.



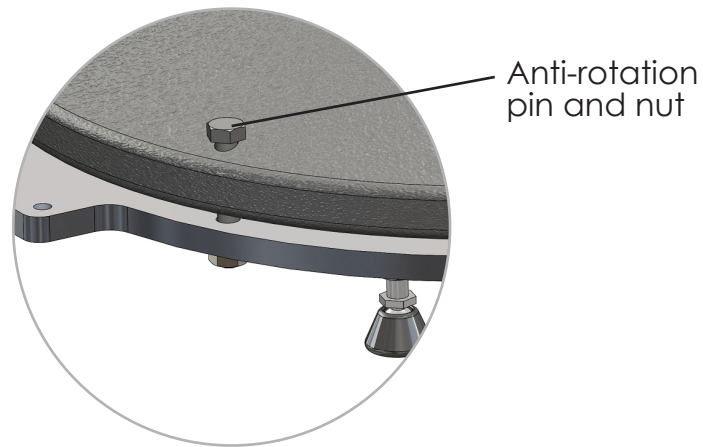
Ensure that the high adjustment is firmly tightened before use to prevent it from becoming loose during operation.



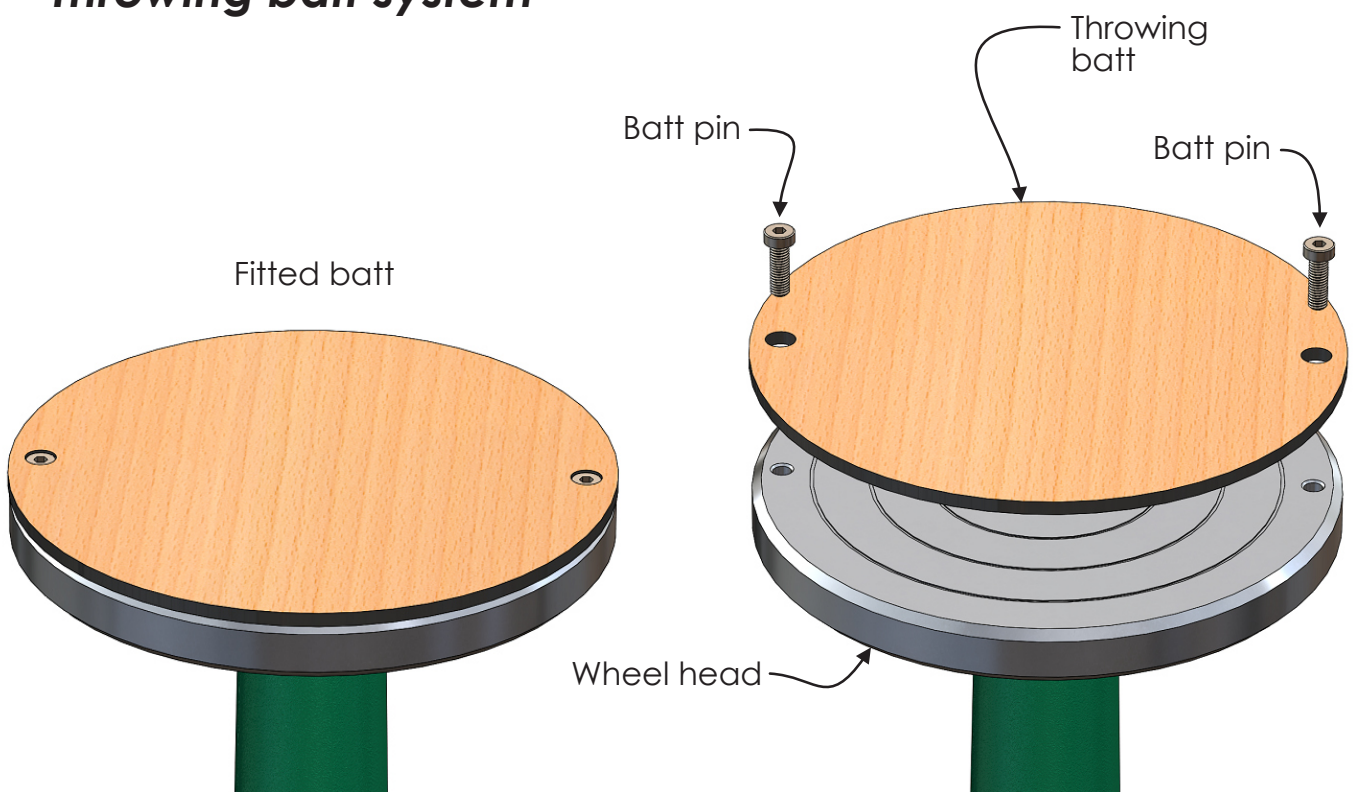
# THEGOGO<sup>®</sup>

a transportable kick wheel

- 5** Remove anti-rotation pin and nut to allow the kick wheel to rotate. We recommend to keep these parts in the parts bag supplied.



## Throwing batt system

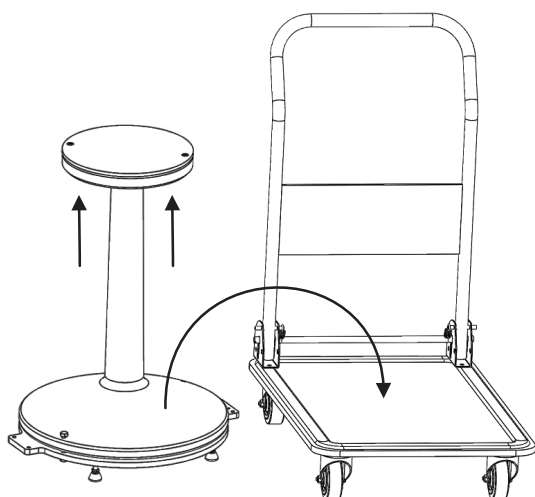




## Transporting your kick wheel

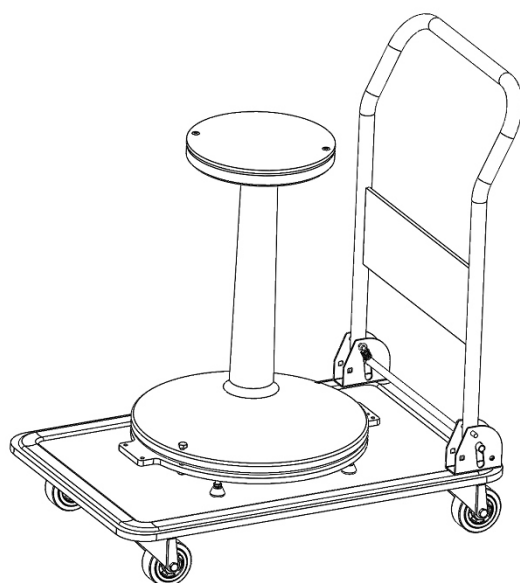


- Do not attempt to move the kick wheel by grabbing hold of the stool when still attached to the kick wheel as this will damage it.
- Before lifting, handling or transporting the kick wheel you must disconnect the stool from the kick wheel by removing the link bar.
- Ensure that the anti-rotation pin and nut is securely fitted before lifting, handling or transporting the kick wheel.



A platform trolley is provided with the kick wheel to transport it safely. Read the instructions of the trolley manufacturer before using it.

To place the kick wheel on top of trolley, grab the kick wheel from the wheel head and lift it onto the platform of the trolley using appropriate lifting techniques.



← Push the trolley to transport the kick wheel.



## ***Accessories and spare parts***

Accessories and spares can be purchased from our online store [thegogo.co.uk](http://thegogo.co.uk) which will go live in mid 2022, alternatively contact us via email.

## ***Looking after your kick wheel***

Your kick wheel has been designed and manufactured with industrial quality to last for many years. Looking after it will ensure your kick wheel last a lifetime. Here are our recommendation:

- It is OK to use the kick wheel outdoors, but do store it indoor in a dry environment after use. Do not expose it to the element for long periods of time.
- Clean your your kick wheel after every use with a wet cloth or sponge. Avoid using chemical as this may affect the surface treatment of the parts.
- Do not put undue loads, impact or drop the kick wheel as this can damage it.
- Do not attempt to move the kick wheel by grabbing hold of the stool when they are still attached as this will damage it.
- It is OK to grab the kick wheel from the wheel head to lift it, it has been designed for this.
- Paint scratches on the cast body should be cleaned and painted over with an anti-rust coating as soon as identified.

## ***Servicing your kick wheel***

Service your kick wheel every five years. A service consist of a deep clean, repainting the surfaces and a change of bearings.

Anyone that has the skills required to clean, paint and change bearings can service the kick wheel following our instructions.

Servicing instruction, spares parts and recommended paint can be obtained at [thegogo.co.uk](http://thegogo.co.uk) (from mid 2022), [potterykickwheel.com](http://potterykickwheel.com) or by emailing us at [jc@coiron.co.uk](mailto:jc@coiron.co.uk).

## **Warranty**

Your THEGOGO kick wheel comes with a 24 month warranty against defects in materials and workmanship. In this case we will replace or repair defective parts under at no cost.

Contact us via email at [jc@coiron.co.uk](mailto:jc@coiron.co.uk) for remote assistance in the first instance. If we conclude that the issue falls within this warranty then we may request you to return the faulty kick wheel or a part of it to THEGOGO, freight prepaid, or we may send you a replacement part.

If you have purchased your kick wheel directly from us then we will have your contact details and the serial number of your machine on file. If you have purchased it from a reseller then you will need to register your kick wheel with us by emailing [jc@coiron.co.uk](mailto:jc@coiron.co.uk) indicating your name, serial number, date of purchase and the name of the reseller.

This warranty is non-transferable.

## **Information record form**

We suggest recording the following details of you machine for your records:

Serial number: \_\_\_\_\_

Date of purchase: \_\_\_\_\_

Company purchased from: \_\_\_\_\_

## **Contact us**

Websites: [potterykickwheel.com](http://potterykickwheel.com)  
[thegogo.co.uk](http://thegogo.co.uk)

Email: [jc@coiron.co.uk](mailto:jc@coiron.co.uk)

Phone: +44 (0)7581 540001



Potter Stephen Wood  
Picture by John Need  
Mud Station, Edinburgh, Scotland